

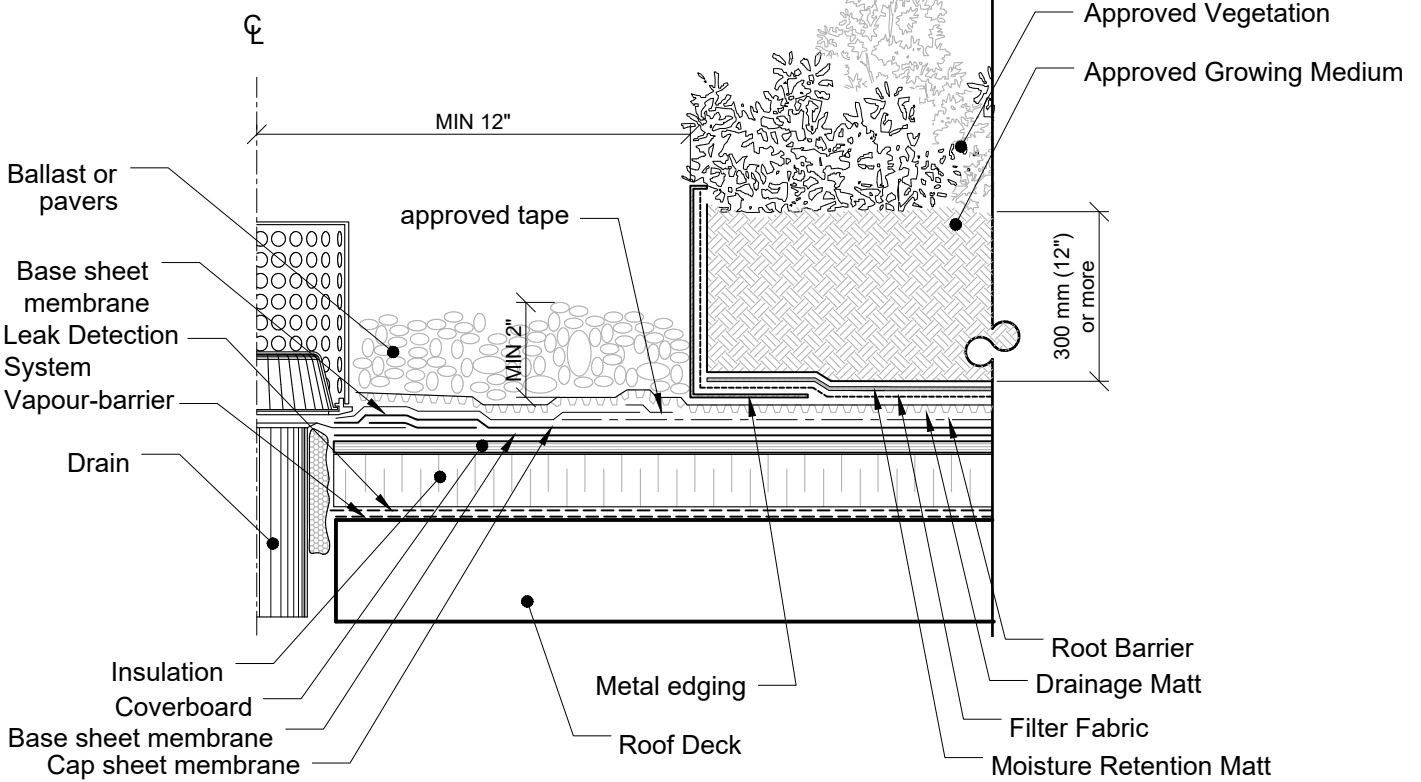
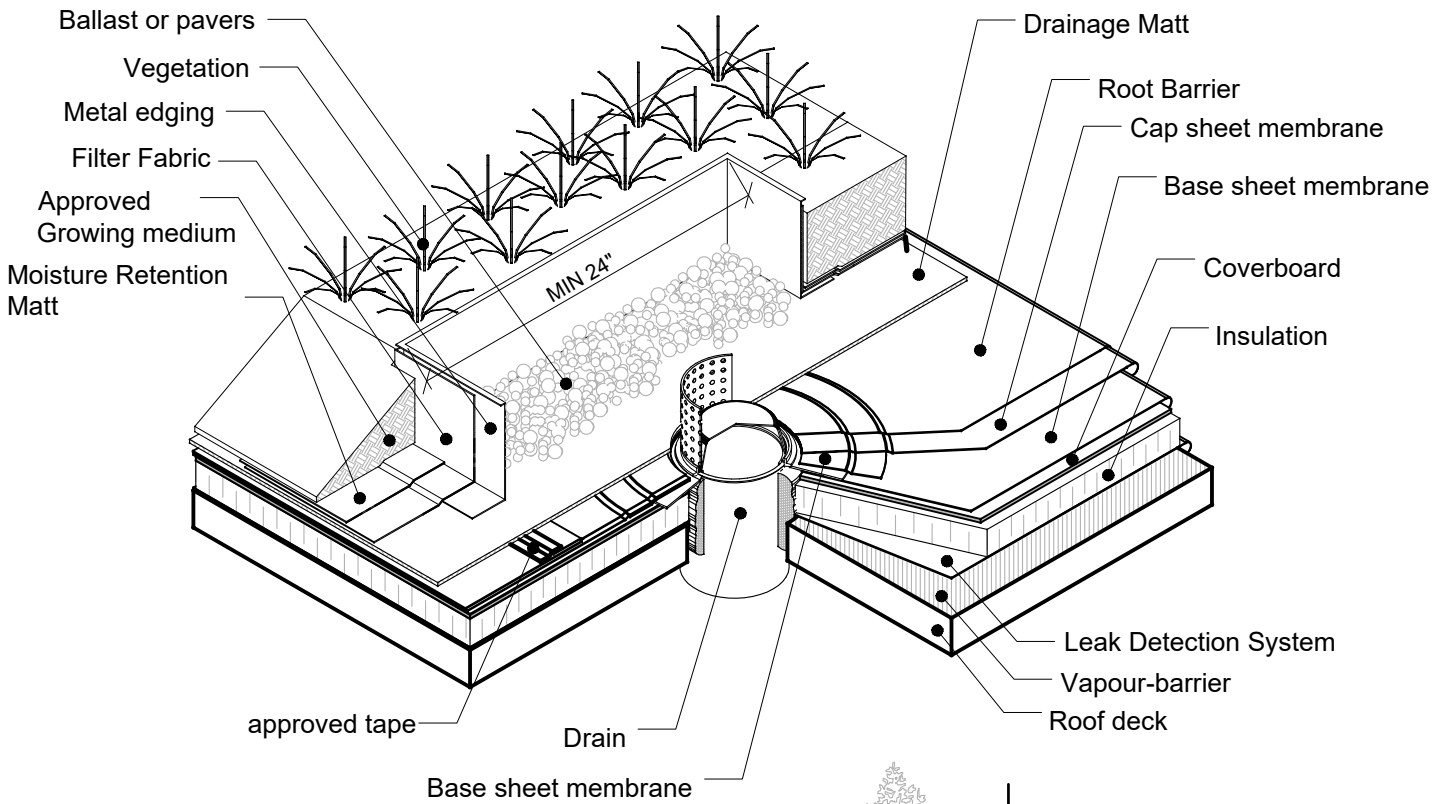
Note¹: Provide vegetation-free zone at the base of upstands, around drains and roof projections as per applicable standards.

Title: Green Roof Basis of Design Details
 PARAPET DETAIL - INTENSIVE SYSTEM - CONVENTIONAL ROOF

Scale:
 N.T.S.

Date:
 JAN 2023

Drawing number:
 1



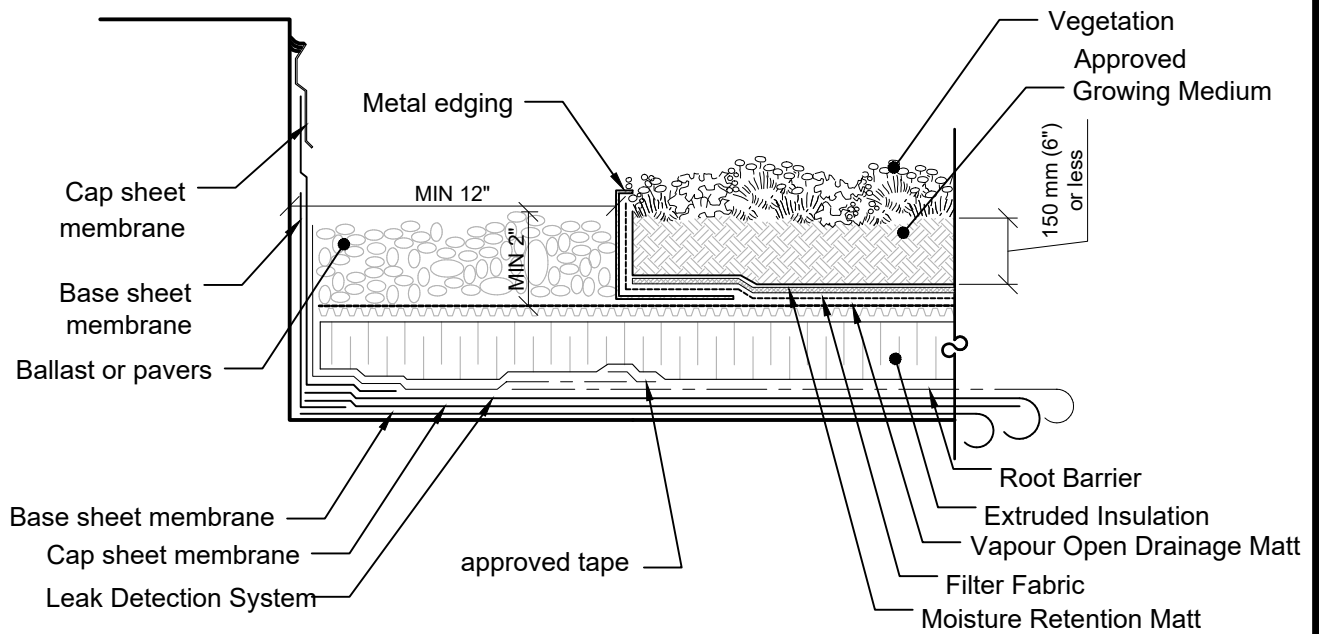
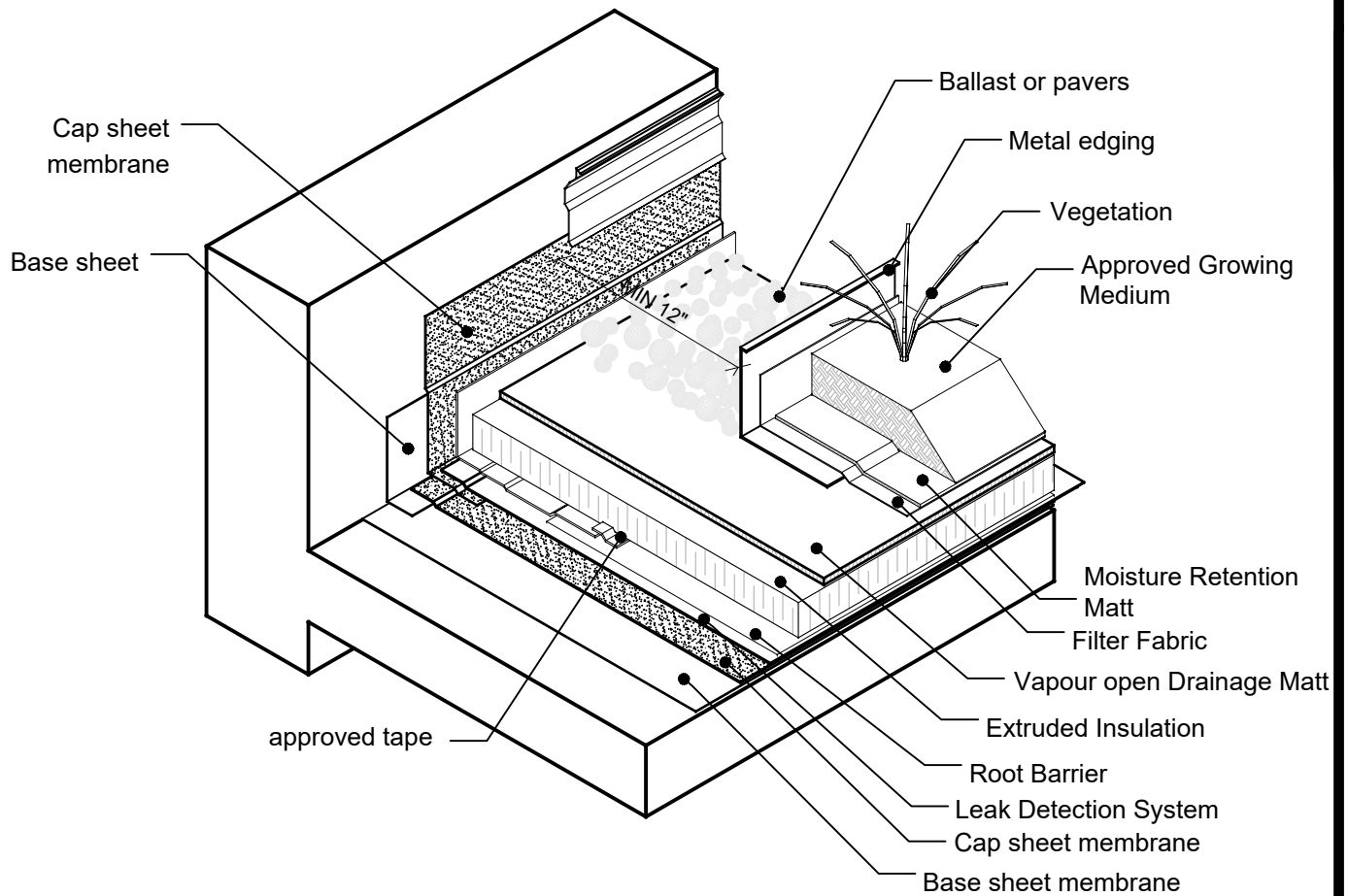
Provide vegetation-free zone at the base of upstands, around drains and roof projections as per applicable standards.

Title: Green Roof Basis of Design Details
 DRAIN DETAIL - INTENSIVE SYSTEM - CONVENTIONAL ROOF

Scale:
 N.T.S.

Date:
 JAN 2023

Drawing number:
 2



Provide vegetation-free zone at the base of upstands, around drains and roof projections as per applicable standards.

Title: Green Roof Basis of Design Details
 PARAPET DETAIL - EXTENSIVE SYSTEM - INVERTED ROOF

Scale: N.T.S.	Date: JAN 2023	Drawing number: 3
------------------	-------------------	----------------------