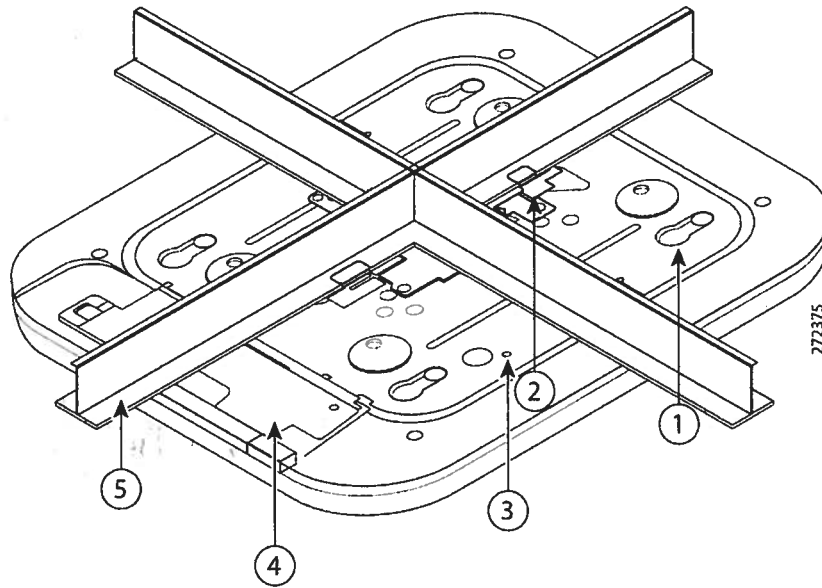


# Mounting an Access Point Below a Suspended Ceiling

Follow these steps to mount the access point below a standard or recessed suspended ceiling. Figure 6 shows an access point mounted on a T-rail ceiling rail using a ceiling grid clip.

Figure 6 Suspended Ceiling Mounting Details



1	Access point mounting keyhole	4	Access point cable access cover
2	Ceiling grid clip	5	Ceiling T-rail
3	Grounding point		

				Building/Facility Name	
No.	BY	DATE	REVISIONS	App'd	
Scale NONE			BY	DATE	
Sheet No. 1 of 1			Drawn MET	05 MAR 04	
			Check'd DS	7 MAR 11	
UBC Project No.			Design'd		
			Approv'd B. MACDONALD-RCDD	7 MAR 11	
			This drawing and its contents are confidential, and are for the private information of the Client Name. It is not to be relied upon or used in whole or in part for other purposes or by or for the benefit of others without prior adaptation and specific written verification by UBC, Information Technology.		
			UNIVERSITY OF BRITISH COLUMBIA		File No.
			ITSTD-53		Rev. 1